

### Assembly:

To install, you will need the following:

- Pencil and tape measure
- Philips screwdriver if needed and pliers.
- Electric drill with assorted bits.

### Parts:

- Main unit (See Photo – A)
- Mounting brackets already attached (See Photo – B)
- Package of ceiling hooks (See Photo – C)
- 4 lengths of hanging chain, pan hooks PR-41207 and swivel pan hooks PR-41213

Please consult with your local hardware store if you have any questions or concerns about the construction of your walls or ceilings. They can assist you in selecting the proper hardware and procedures. The generic hardware provided will work for most applications. Always measure twice before drilling. **NOTE:** If you have any doubt about your installation or your ceilings ability to offer the proper support for your pot rack, please contact a professional.

### Mounting Directions:

Determine where ceiling joist (beams, studs) are located. Place ceiling hooks so that the hanging links will hang straight down from the ceiling. It is important the ceiling hooks are secure within the joists so they will bear the weight of the rack and any cookware. Proper installation diagram (See Photo – D)

Additional hooks available.

See [www.prhousewares.com](http://www.prhousewares.com) for a list of parts and e-tailers.



Photo A - Fully Assembled



Photo B - Mounting Brackets



Photo C - Package of Screws.  
Quantity may vary based on  
product ordered.

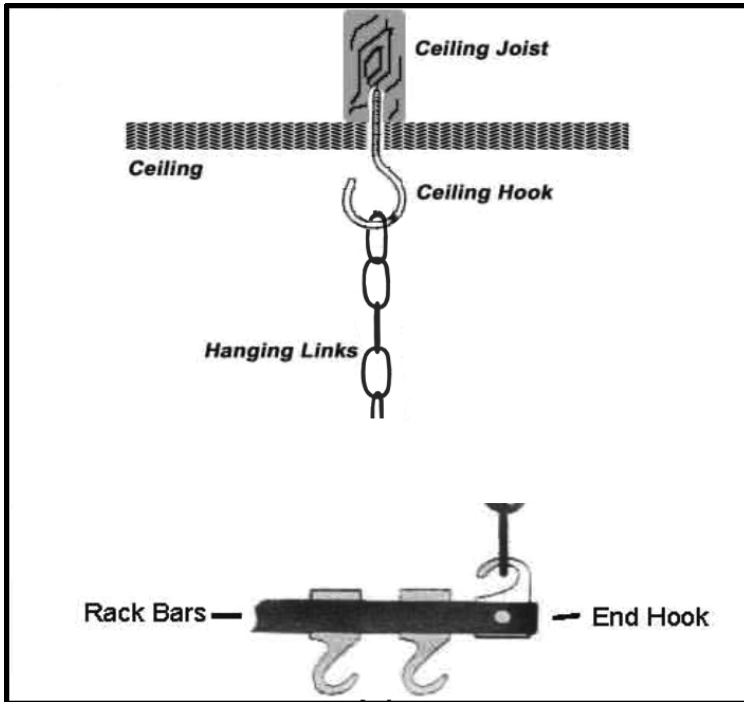
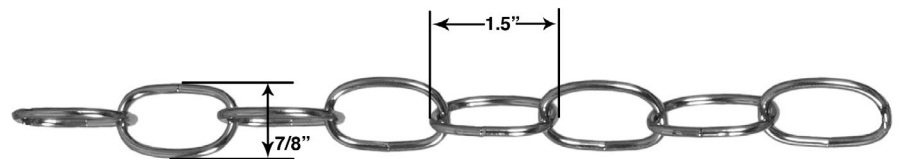
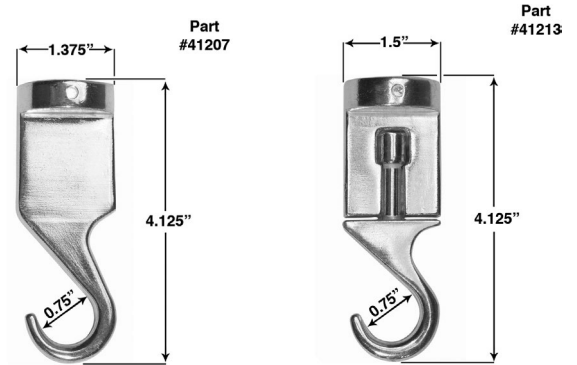


Photo D - Mounting

Additional links hooks available.  
See [www.prhousewares.com](http://www.prhousewares.com) for a list of parts and e-tailers.



4 length of chain each 28" long

### Questions - Comments Damaged - Defective - Missing Parts

Contact us first, we will respond within 24 hours or less. Please provide our part number, your order number, place of purchase, address and any other info so we may address your concerns promptly.

[info@prhousewares.com](mailto:info@prhousewares.com) or [www.prhousewares.com](http://www.prhousewares.com)

Thank you!

Returns are only accepted when returned in new condition and only with an RMA from the seller.

Returns to: 501 I South Reino Rd. Ste 152. Newbury Park, CA 91320