

Assembly:

To install, you will need the following:

- Pencil and tape measure
- Phillips head screw driver if needed and pliers.
- Electric drill with assorted bits

Parts:

- Main unit (See Photo – A)
- Package of ceiling hooks (See Photo – B)
- PR-41207 pan hooks used in corners for mounting (See Photo – C)
- 4 of the supplied pan hooks are used in corners for hanging the rack to links
- 4 lengths of hanging chain, pan hooks PR-41207 and swivel pan hooks PR-41213

Please consult with your local hardware store if you have any questions or concerns about the construction of your walls or ceilings. They can assist you in selecting the proper hardware and procedures. The generic hardware provided will work for most applications. Always measure twice before drilling. NOTE: If you have any doubt about your installation or your ceilings ability to offer the proper support for your pot rack, please contact a professional.

Mounting Directions:

Determine where ceiling joist (beams, studs) are located. Place ceiling hooks so that the hanging links will hang straight down from the ceiling. It is important the ceiling hooks are secure within the joists so they will bear the weight of the rack and any cookware. Proper installation diagram (See Photo – D) on next page.

Additional hooks available. See www.prhousewares.com for a list of parts and e-tailers.

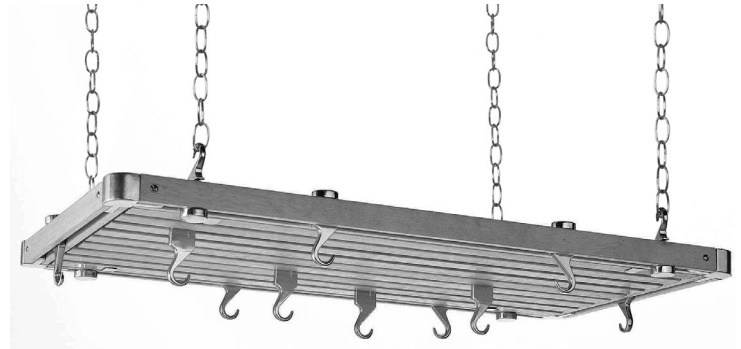


Photo A - Fully Assembled



Photo B - Ceiling Hooks



Photo C - Corners

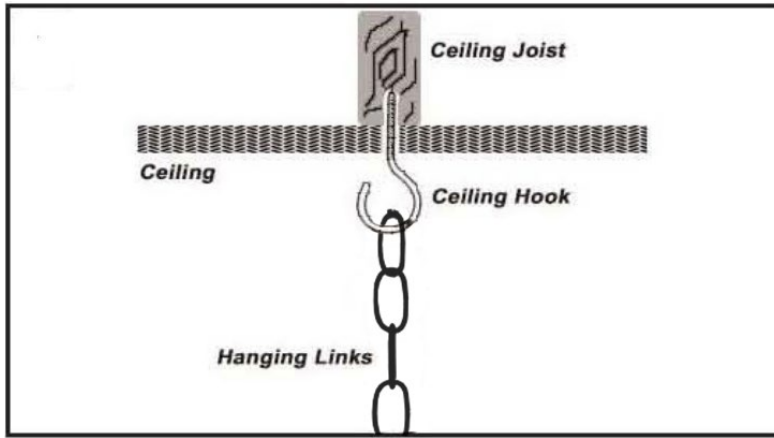
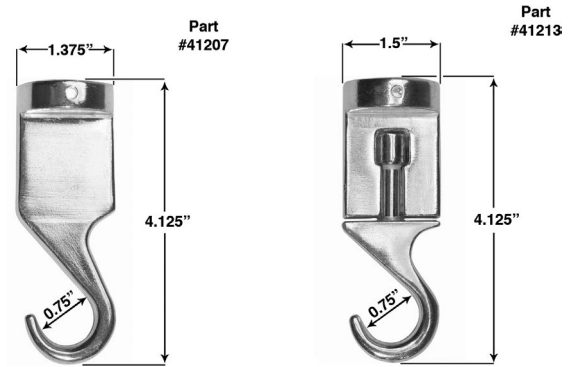
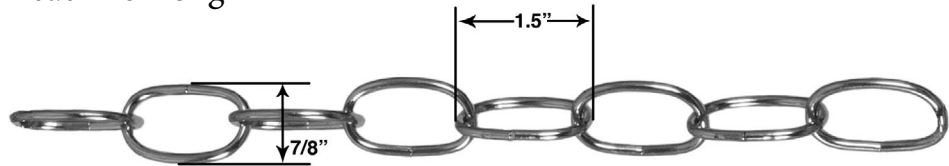


Photo D - Proper Installation

Additional hooks available.
See www.prhousewares.com for a list of parts and e-tailers.



4 length of chain each 28" long



Questions - Comments
Damaged - Defective - Missing Parts

Contact us first, we will respond within 24 hours or less. Please provide our part number, your order number, place of purchase, address and any other info so we may address your concerns promptly.

info@prhousewares.com or www.prhousewares.com

Thank you!

Returns are only accepted when returned in new condition and only with an RMA from the seller.

Returns to: 501 I South Reino Rd. Ste 152. Newbury Park, CA 91320